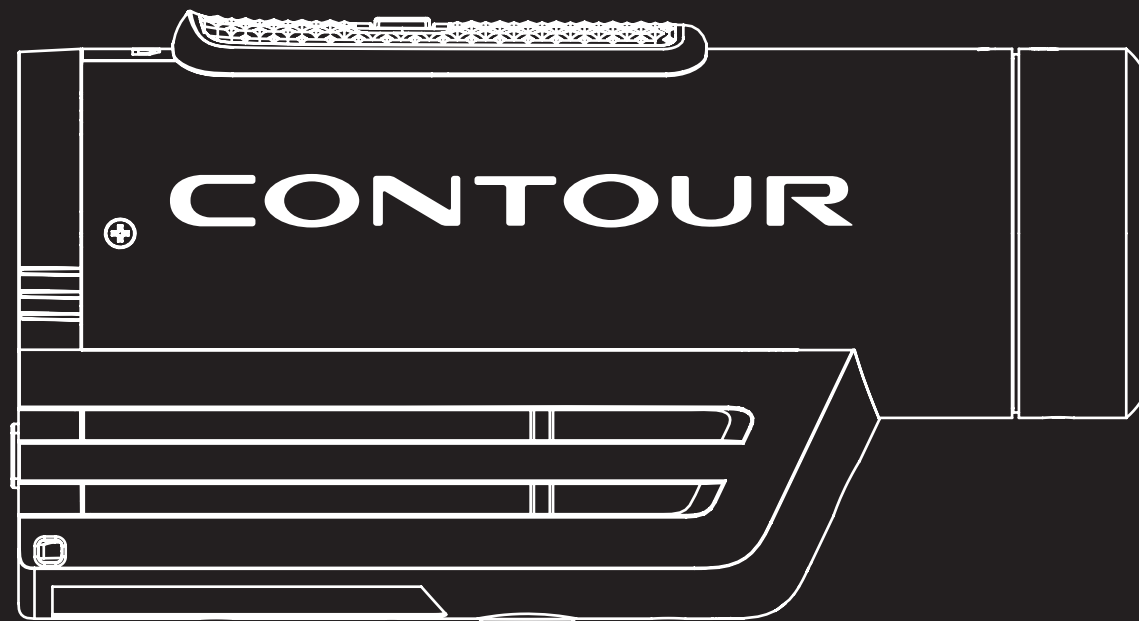


CONTOUR**ROAM2**

USER MANUAL



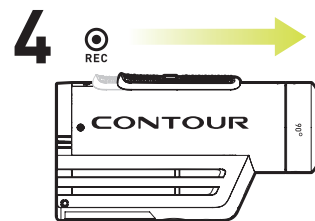
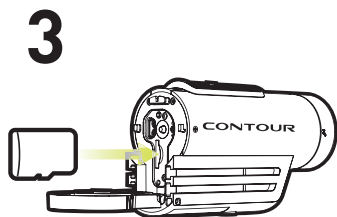
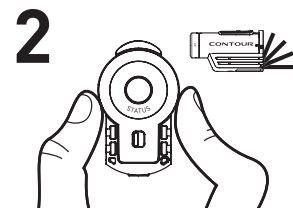
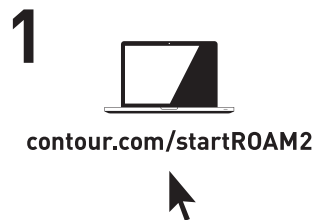
ENGLISH

TABLE OF CONTENTS

QUICK START GUIDE	2
CAMERA OVERVIEW	2
SETTING UP	3
CAUTIONS AND WARRANTY	4
CONTACT	6

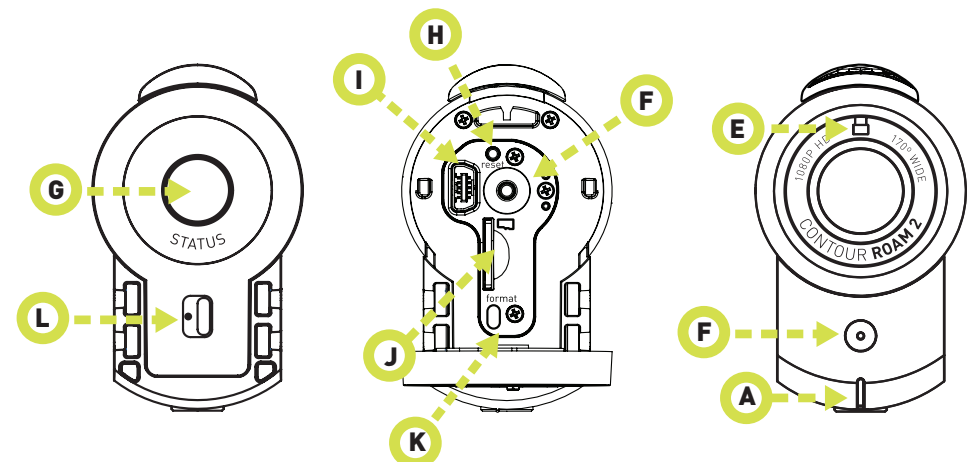
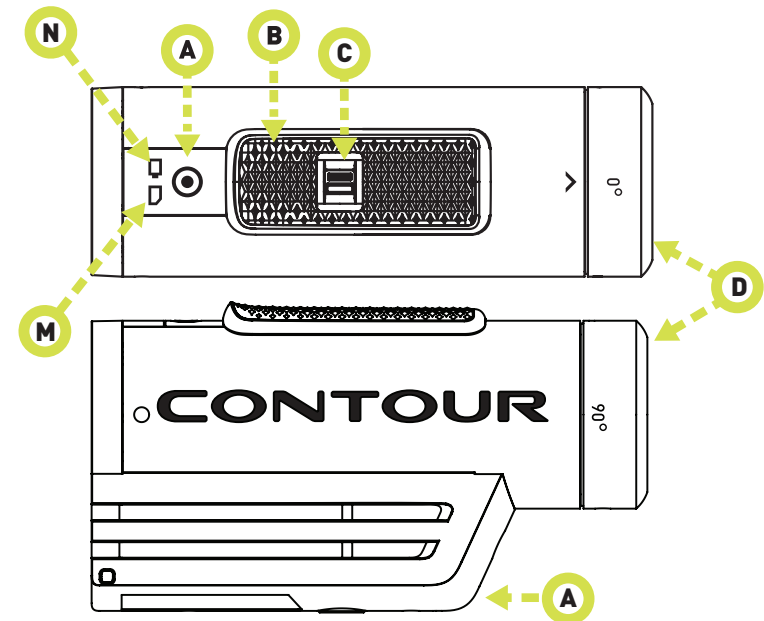
QUICK START

- 1 Slide the Door Lock to the left so the red icon isn't showing.
- 2 Slide the camera door up to open.
- 3 Insert the microSD Card.
- 4 Close the camera door.
- 5 Slide the Door Lock to the right to lock it closed.
- 4 Slide the Record Slider forward to record. Slide it back to stop recording.



CAMERA DIAGRAM KEY

A	Record Status	H	Reset Button
B	Record Slider	I	USB
C	Record Slider Lock	J	microSD Card Slot
D	Rotating Lens	K	Card Format Button
E	Laser Line	L	Door Lock
F	Microphone	M	Memory Status
G	Status Button	N	Battery Status



SETTING UP

Download Contour Storyteller to your PC/Mac from the Contour website. The link below will help you set up your camera to make sure it is registered, update the time on your camera, and get the settings dialed to your custom configuration.

<http://www.contour.com/startROAM2>

CHARGING THE BATTERY

- + Slide the door up to open.
- + Connect your camera to a PC/Mac using the supplied USB Cable.
- + The Battery Status LED indicates the charge level of the battery. It will change colors from red to green as the battery charges.
- + Charge is fully complete when the Battery Status LED turns green. This can take up to three hours.

FORMATTING THE microSD CARD

Format the microSD Card prior to recording so your camera is able to properly read and write to it.

Caution: formatting the card will erase everything on it

Check that the Record Slider is in the off position. Open the back of your camera then press and hold the Format Button until the camera beeps (three to five seconds), then release the Format Button. The microSD Card LED will flash while the card is formatting and then turn solid green when the format is complete.

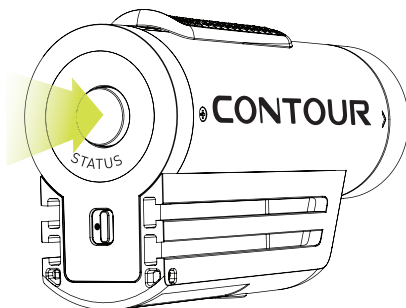
The ContourROAM2 is compatible with:

- + SDSC (standard capacity) class 2 microSD Cards up to a capacity of 2GB.
- + SDHC (high capacity) class 4, 6, or 10 microSD Cards up to a maximum capacity of 32GB.

Camera Status

Pressing the Status Button will:

- + Activate the Laser Line for 15 seconds.
- + Display the current battery and memory status.



MEMORY STATUS LED

Green: 50% or more
Yellow: 20 to 50%
Red: 20% or less

BATTERY STATUS LED

Green: 50% or more
Yellow: 20 to 50%
Red: 20% or less

ERROR CONDITIONS

- + Battery LED flashes red: the battery is almost empty.
- + Memory LED flashes and there are continuous beeps: the microSD Card cannot be accessed because the card is full, missing, or not properly formatted.

CAMERA SETTINGS

To adjust the settings on your camera, download and install the Contour Storyteller app to your PC/Mac.

<http://contour.com/software/storyteller>

With the camera connected to your computer, go to the Tools >> Configure Camera menu in Contour Storyteller.

Here you can adjust:

Video Mode:

- 1080p video at 30 frames per second
- 960p video at 30 frames per second
- 720p video at 30 frames per second
- 720p video at 60 frames per second (Default)

Photo Mode:

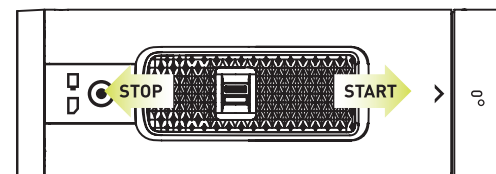
- 5MP photos every 1, 3, 5, 10, 30, 60 seconds

Microphone Sensitivity:

- Audio level

RECORDING

- + Start Recording: Move the Record Slider Lock so that the red square is not showing and then slide the Record Slider forward. Your camera will power on, beep once, and the Record Status LED will turn red, indicating that the camera is now recording a video.
- + Stop Recording: Slide the Record Slider back. Your camera will beep twice, and the Record Status LED will switch off, indicating that your camera has stopped recording and is powered off.
- + Record Slider Lock: The small switch on top of the Record Slider is used to keep the Record Slider from turning on or off. To move the Record Slider forward or back, have the Record Slider Lock moved so that the red square is not showing. To prevent the Record Slider from moving in either the record or off positions, move the Record Slider Lock so that the red square is visible.



MOUNTING

Getting the best shot depends only on your creativity. Contour offers a wide range of mounts that let you put the camera just about anywhere, so be creative.

Remember that your ContourROAM2 has a wide-angle lens and objects that are far away will seem smaller than you expect in your videos.

Alignment

Your ContourROAM2 has a Laser Line that helps ensure you have the horizon properly aligned in your videos. To use, activate the Laser Line by pressing the Status Button; place your hand in front of the Laser Line or aim it on to a flat surface a few feet in front of you and rotate the lens (up to 270°) until the Laser Line is horizontal.

When mounting the camera on your helmet or goggles, you may discover that you look down more than you thought. It may take a few practice videos to find the right alignment.

Adhesive Mounts

Clean and dry the mounting surface before applying an adhesive mount. We suggest cleaning the surface with a small amount of alcohol and applying the mount at room temperature. Let the adhesive cure for 24 hours before use.

WATERPROOF

Your ContourROAM2 is waterproof to a depth of 1 meter (3 feet) without the use of a waterproof case. To go deeper, you will need to use the Waterproof Case. The case is good to a depth of 60 meters (180 feet).

CAUTIONS AND WARRANTY

Cautions and Warranty

This Important Product Information Guide contains regulatory, safety, handling, disposal and recycling information, as well as the 1 year limited warranty for your ContourROAM2 camera.

Read all safety information below and operating instructions before using ContourROAM2 camera to avoid injury.

Read all safety information below and operating instructions before using ContourROAM2 camera to avoid injury.

Warning: Failure to follow these safety instructions could result in fire, electric shock, or other injury or damage.

Battery and Handling

ContourROAM2 uses a non-removable, non-changeable, rechargeable lithium-ion, 3.7V, 1350mAh battery. The battery may present a hazard if mistreated. Do not disassemble or crush the camera. To charge, only use the Contour USB Cable with a high power USB port on a computer or other device that is compliant with the USB 2.0 or 1.1 standards, or a Contour wall, car, or battery charger.

Disposal information

Do not dispose of the ContourROAM2 camera in a fire. Dispose of the camera and its internal battery in accordance with local laws and regulations.

Correct Disposal of this product



This marking indicates that this product should not be disposed with other household wastes throughout the U.S. To prevent possible harm to the environment or human health from uncontrolled waste disposal, recycle it responsibly to promote the sustainable reuse of material resources. To return your used device, please use proper return and collection systems or contact the retailer where the product was purchased. They can take this product for environmental safe recycling.

Leash Use: DO NOT ATTACH THE LEASH TO THE CAMERA WHEN THE CAMERA IS MOUNTED ON HELMET OR GOGGLES, WHEN THE CAMERA WILL BE USED IN HIGH WINDS OR AT HIGH VELOCITIES, OR IN ANY OTHER CIRCUMSTANCES WHEREBY THE CAMERA COULD CAUSE INJURY OR HARM IN THE EVENT THAT IT COMES LOOSE FROM THE MOUNT AND REMAINS TETHERED BY THE LEASH. BY ATTACHING THE LEASH TO THE CAMERA, YOU AGREE TO WAIVE ANY CLAIMS AGAINST CONTOUR, INC. AND ANY OF ITS AFFILIATES, AGENTS, EMPLOYEES, OFFICERS OR DIRECTORS ARISING FROM THE USE OF THE LEASH.



FCC information

ContourROAM2 Camera

Model: 1800

This device complies with Part 15 of the FCC Rules.

Operation is subject to the following two conditions:

- + This device may not cause harmful interference, and
- + This device must accept any interference received, including interference that may cause undesired operation.

Warning: Changes or modification to this unit not expressly approved by party responsible for compliance could void the user's authority to operate the equipment. Note: This equipment has been tested and found to comply with the limits for a Class B digital device, pursuant to Part 15 of the FCC Rules. These limits are designed to provide reasonable protection against harmful interference in a residential installation.

This equipment generates, uses and can radiate radio frequency energy and if not installed and used in accordance with instructions, it may cause harmful interference to radio communications. There is no guarantee that interference will not occur in a particular installation. If this equipment does cause harmful interference to radio or television reception, which can be determined by turning the equipment off and on, the user is encouraged to try to correct the interference by one or more of the following measures:

- + Reorient or relocate the receiving antenna.
- + Increase separation between equipment and receiver.
- + Connect the equipment into an outlet on a circuit different from that to which the receiver is connected.
- + Consult the dealer or an experienced radio/TV technician for help.



The CE symbol on your ContourROAM2 camera indicates that it is in compliance with the Electromagnetic Compatibility (EMC) directive, and Limits and Methods of Measurement of Radio Interference Characteristics of ITE.

Industry Canada This Class B device meets all requirements of the Canadian Interference-Causing Equipment Regulations.

Cet appareil numérique de la classe B respecte toutes les exigences du Règlement sur le matériel brouilleur du Canada.

Repairing or Modifying Never attempt to repair or modify a ContourROAM2 camera yourself. Disassembling ContourROAM2 camera, including the removal of external screws, may cause damage that is not covered under the warranty. The ContourROAM2 camera does not contain any user-replaceable parts, except the microSD Card.

RoHS ContourROAM2 cameras comply with the European Union's ROHS directive 2002/95/EC and similar regulations that may be adopted by other countries for European Sales.

CONTOUR, INC. LIMITED WARRANTY Contour, Inc. ("Manufacturer") warrants to the original end user ("Purchaser") that for the 1 year ("Warranty Period"), the ContourROAM2 camera (excluding any third party software) and accessories ("Product") will be free from defects in materials and workmanship when properly installed and used for its intended purpose and in its intended operating environment. This warranty does not apply to any Product that has been: (i) altered, repaired or modified or (ii) damaged or destroyed by accidents or similar events or by any intentional, reckless or negligent acts or omissions of any party. In the event of a defect, return the Product to the original place of purchase or Manufacturer, but only after instructed to do so by Manufacturer.

Purchaser shall ship and bear the cost of shipping the Product to Manufacturer and Manufacturer shall bear the cost of shipping the Product back to Purchaser after the completion of service under this limited warranty. Purchaser's exclusive remedy and Manufacturer's entire liability under this warranty will be for Manufacturer at its option to repair or replace the Product or refund purchase price less any rebates. Manufacturer does not warrant against loss of any data (including data stored on Product returned to Manufacturer for service), and assumes no liability for such loss. Purchaser assumes all liability, and as such releases Manufacturer from any liability, for any accident, injury, damage, death, loss, illegal activity or any other claim that may occur resulting from or during use of the Product, whether or not such use is foreseeable by Manufacturer.

ALL IMPLIED WARRANTIES OF MERCHANTABILITY OR FITNESS FOR A PARTICULAR PURPOSE ARE LIMITED TO THE DURATION OF THE APPLICABLE EXPRESS WARRANTY. ALL OTHER EXPRESS OR IMPLIED CONDITIONS, REPRESENTATIONS AND WARRANTIES, INCLUDING ANY IMPLIED WARRANTY OF NON-INFRINGEMENT, ARE DISCLAIMED. Some jurisdictions do not allow limitations on how long an implied warranty lasts, so the above limitation may not apply to Purchaser. This warranty gives Purchaser specific legal rights, and Purchaser may also have other rights which vary by jurisdiction.

All third party software provided with the Product is provided "AS IS". Purchaser assumes the entire risk as to the quality, performance, accuracy and effect of such software, and should it prove defective, Purchaser, and not Manufacturer, assumes the entire cost of all necessary servicing or repair. TO THE EXTENT NOT PROHIBITED BY LAW, IN NO EVENT WILL MANUFACTURER BE LIABLE FOR ANY LOST DATA, REVENUE OR PROFIT, OR FOR SPECIAL, INDIRECT, CONSEQUENTIAL, INCIDENTAL OR PUNITIVE DAMAGES, HOWEVER CAUSED REGARDLESS OF THE THEORY OF LIABILITY, ARISING OUT OF OR RELATED TO THE USE OF OR INABILITY TO USE THE PRODUCT, EVEN IF MANUFACTURER HAS BEEN ADVISED OF THE POSSIBILITY OF SUCH DAMAGES. IN NO EVENT WILL MANUFACTURER'S LIABILITY EXCEED THE AMOUNT PAID BY PURCHASER FOR THE PRODUCT.

The foregoing limitations will apply even if any warranty or remedy provided under this Agreement fails of its essential purpose. Some jurisdictions do not allow the exclusion or limitation of incidental or consequential damages, so the above limitation or exclusion may not apply to Purchaser.

Contour Disclaimer All purchasers, users, and any or all parties involved or engaging in the use of Contour, Inc. ("Contour") products agree to the following:

- + Contour does not promote or endorse high risk, careless and/or dangerous actions when using its products.
- + Contour is not liable for any use or misuse of Contour Products or any video captured that may be considered illegal.
- + Contour is not responsible for any illegal actions taken while recording, attempting to record, or editing video that was captured with our products.
- + Contour Products' primary purpose is recording legal sports activities as seen by all Local, State, Federal, and Country laws.

Contour Hands-free Camera and/or associated software and other Contour products are protected by copyright, international treaties, and various patents, including: U.S. patents: D616006 and D621435. Other patents are registered or pending in the U.S. and in various countries around the world. Visit contour.com for a list of applicable patents.

All trademarks and registered trademarks mentioned herein are recognized as the property of their respective holders. ContourROAM2 is a product of Contour, Inc. in Seattle, Washington. <http://contour.com> ©2012 Contour, Inc. All rights reserved.

WE ARE HERE TO HELP

If service is required on your camera or accessory, contact our Technical Support team for troubleshooting or to obtain an RMA Number (Return Materials Authorization) if needed. You may be asked to provide a proof of purchase at this time.

Please do not send any product back to Contour without first obtaining an RMA Number or Sales Return Authorization directly from Contour. Contour will, at its sole discretion, replace or repair the product.

Email: support@contour.com

Web: <http://contour.com/support>